



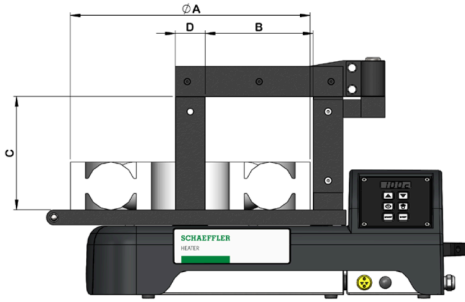
## HEATER100-SMART-230V

Heating device, inductive

Schaeffler ID:  
0966645760000

HEATER smart

### Technical information



### Technical data

U	230 V	Operating voltage
f	50 - 60 Hz	Frequency
P	3.7 kVA	Power consumption
I	16 A	Current rating
$\vartheta_{h \max}$	240 °C	Max. heating temperature
	0 - 99 min	Heating time
	Touch	Display
	2	Magnetic probe, quantity
$\approx m$	36.6 kg	Weight

### Functions

+	Temperature hold
+	Automatic demagnetization, <math><2A/cm</math>
+	Swivel arm
+	Log function
+	Delta-T control
+	Temperature control
+	Time control
+	Temperature and time control
+	Temperature and speed control
+	Overheating protection
only in temp. and speed mode	Automatic power reduction
+	Device supports horizontal / lying heating of the workpiece
+	Device supports vertical / hanging heating of the workpiece

### Dimensions

	702 mm	Length HEATER
	256 mm	Width HEATER
	392 mm	Height HEATER
B	180 mm	Space between poles
C	185 mm	Pole length
D	50x50	Pole cross section (mm <sup>2</sup> )

### Workpiece to be heated

	30 mm	Min. inner diameter workpiece, vertical heating: with included yoke
	15 mm	Min. inner diameter workpiece, vertical heating: with optional yoke
	72 mm	Min. inner diameter workpiece, horizontal heating
ØA <sub>max</sub>	500 mm	Max. outer diameter workpiece
	175 mm	Max. workpiece width, vertical heating
	180 mm	Max. workpiece width, horizontal heating
m <sub>b max</sub>	100 kg	Max. workpiece weight

### Additional information

	2	Yokes included, quantity
	20x20, 50x50	Yokes included, cross section (mm <sup>2</sup> )